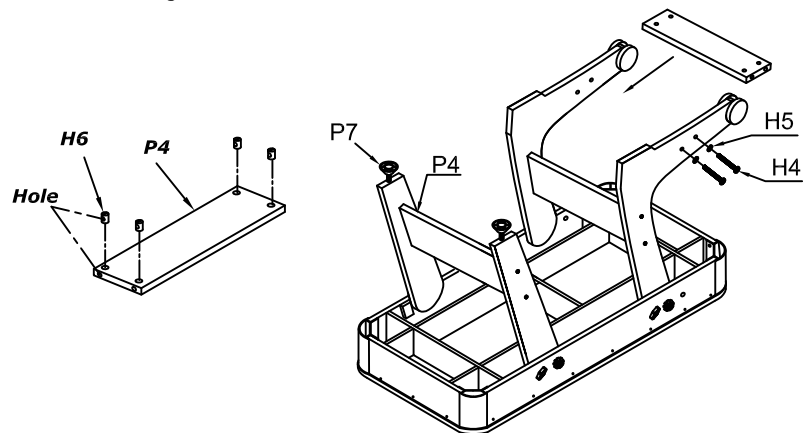
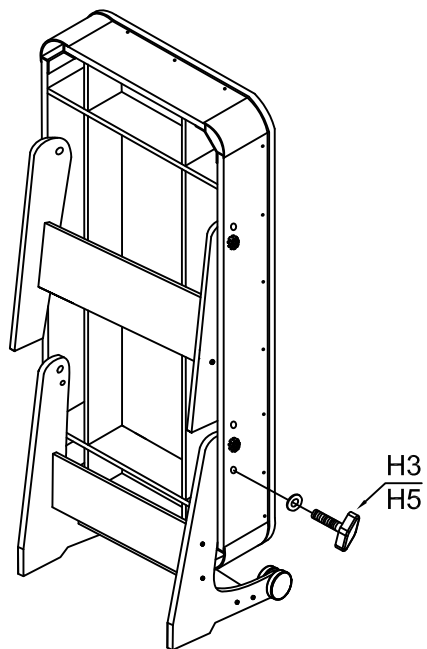


3. Insert the nut **H6** into the hole of the panels **P4**. The hole of the nut align the hole of the panel.
Assemble the leg panels (**P4**) between the legs using the flat washer (**H5**) and the bolt (**H4**) as shown.
4. Attach the leg levelers **P7** as shown in the **FIGURE** .



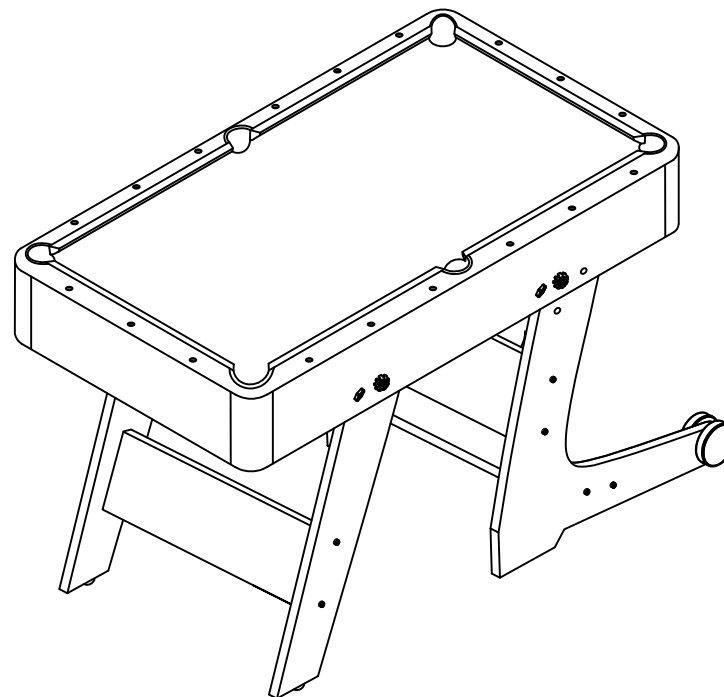
5. Lock the table in the upright position by loosening the handle bolt, folding the table in place, tightening the handle bolt and inserting the bolt (**H3**) and washer (**H5**) as shown.



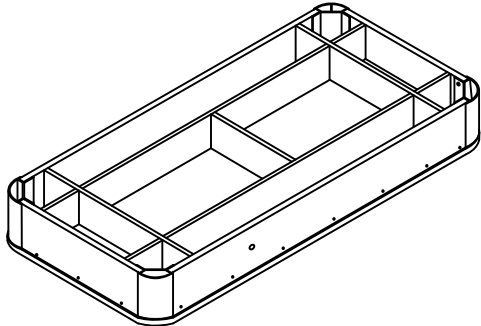


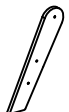
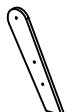
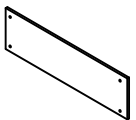





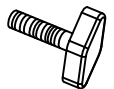



P3

POOL TABLE

ASSEMBLY INSTRUCTIONS

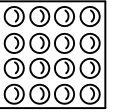
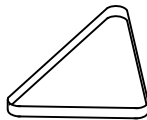
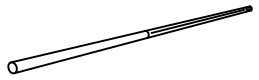
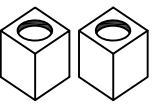




PARTS IDENTIFER

<p>P1</p>  <p>Main Cabinet 1set</p>		<p>P2A</p>  <p>Angled Leg 1 pc</p>
		<p>P2B</p>  <p>Angled Leg 1 pc</p>
<p>P3A</p>  <p>Straight Leg 1pc</p>	<p>P3B</p>  <p>Straight Leg 1pc</p>	<p>P4</p>  <p>Leg Panel 3 pcS</p>
<p>P5</p>  <p>Plastic Caster A 2 pcs</p>	<p>P6</p>  <p>Plastic Caster B 2 pcs</p>	<p>P7</p>  <p>Leg Leveler 2 pcs</p>
<p>H1</p>  <p>5/16" Bolt 4 pcs</p>	<p>H2</p>  <p>5/16" Flat Washer 4 pcs</p>	<p>H3</p>  <p>Handle Bolt 4 pcs</p>
<p>H4</p>  <p>1/4"x2" Bolt 12 pcs</p>	<p>H5</p>  <p>1/4" Flat Washer 16 pcs</p>	<p>H6</p>  <p>Cylindrical Nut 12 pcs</p>

P1

PARTS IDENTIFER

<p>A1</p>  <p>Pool Ball 1 set</p>	<p>A2</p>  <p>Triangle 1 pc</p>	<p>A3</p>  <p>Cue Stick 2 pcs</p>
<p>A4</p>  <p>Chalk 2 pcs</p>	<p>A5</p>  <p>Brush 1 pc</p>	<p>A6</p>  <p>Allen Key 1 pc</p>

ASSEMBLY INSTRUCTIONS

POOL TABLE ASSEMBLY

WARNING:TWO ADULTS NEEDED TO ASSEMBLE POOL TABLE

Find a clean, level place to begin the assembly of your pool table. We recommend building the table on the box top to protect the parts during assembly.

1. Attach the leg (**P2A/P2B**) & (**P3A/P3B**) to the main cabinet (**P1**) Using handle bolt (**H1**) and the 5/16" washers (**H2**), and (**H3&H5**).
2. Insert the leg caster (**P5**) & (**P6**) through the predrilled hole in the extremity of the leg.

